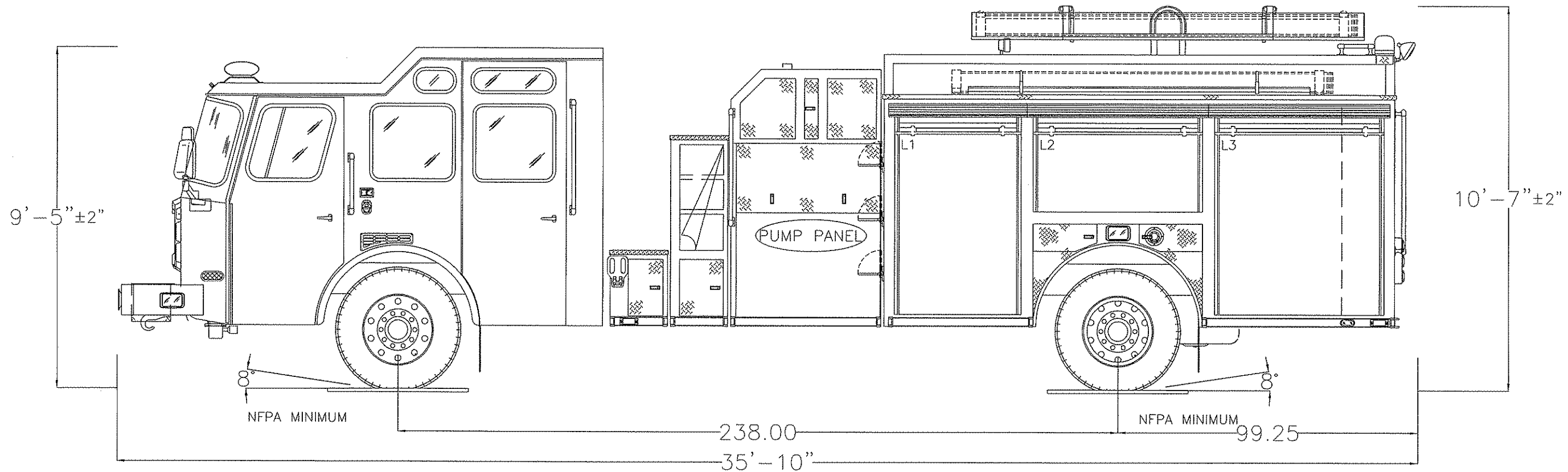
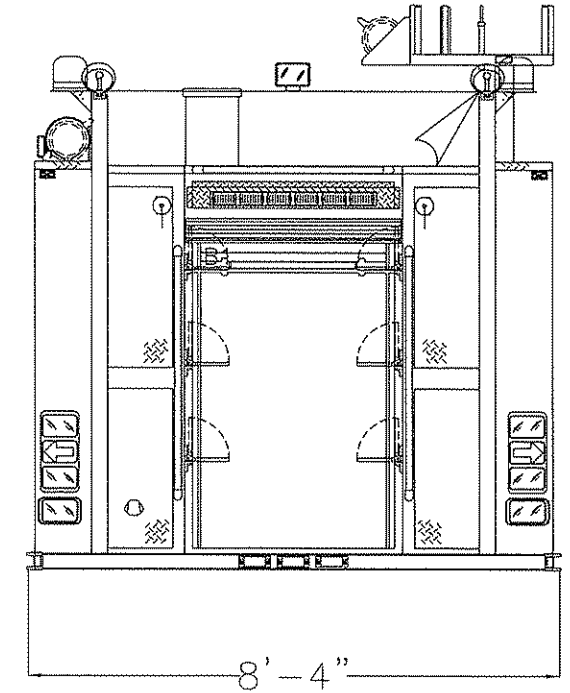


FIRE SERVICE, INC.
9545 INDUSTRIAL DRIVE NORTH
ST. JOHN, IN 46373

Quote No: 28315
 11/7/2008
 Quote Rev:35 Drawing Rev:5



POWERED BY



This drawing provides a GENERAL REPRESENTATION of the vehicle configuration and should be used for evaluation purposes. The respective dimensions shown, including overall height and length, are estimates and may vary due to manufacturing processes. All other items such as lighting and fixtures, plumbing, compartmentation, and other generally assembled details are shown for REFERENCE ONLY and may not be a direct reflection of the final truck configuration. In ALL situations where this drawing may conflict with the specifications, THE SPECIFICATIONS, AS REFLECTED IN THE APPROVED SHOP ORDER, SHALL PREVAIL. Unless otherwise specified, the proposed apparatus will be manufactured to the latest NFPA recommendations as well as other applicable federally regulated safety regulations. E-One reserves the right to engineer and incorporate design improvements and changes without notice, while adhering to the intent of the specification.

1500 GPM HALE QMAXPUMP 1030 TOTAL VOLUME 30 TOTAL FOAM			HOSE LOADS :				
COMPT.	OPENING		INTERIOR DIMENSIONS				
	WIDTH	HEIGHT	WIDTH	LOWER HEIGHT	LOWER DEPTH	UPPER HEIGHT	UPPER DEPTH
L1	42	68.75	42	30	26	38.75	26
L2	56	34.75	56	N/A	N/A	34.75	26
L3	56	68.75	56	30	26	38.75	26
R1	42	68.75	42	30	26	38.75	26
R2	33	34.75	33	N/A	N/A	34.75	26
R3	56	68.75	56	30	26	38.75	26
B1	36	45	38	30	26	24	14

